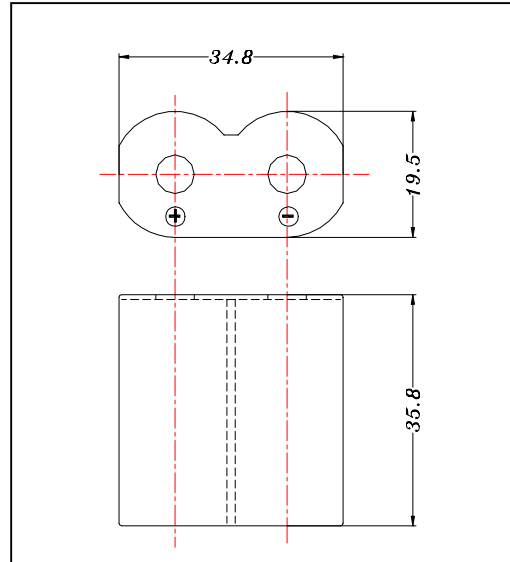


Manganese Dioxide Lithium Battery(Li/MnO₂)

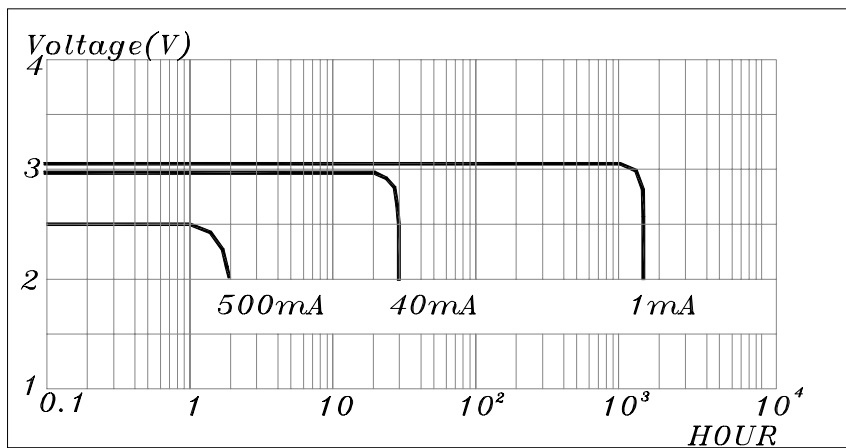
MODEL: CR-P2

Nominal capacity (20mA to 4.0V)	1300 mAh
Nominal voltage	6.0 V
Max. Continuous operating current	1500 mA
Max. Pulse current	3000 mA
Battery weight	38 g
Battery dimension	34.8×19.5×35.8 mm
operating temperature	-40°C~+60°C



Notes: All dimensions are in mm.
Tolerance is ±0.3mm.

Characteristic:



Warning:

- .Do not short-circuit;
- .Do not recharge, force over-discharge, assemble / disassemble and crush; risk of fire and burns;
- .Do not use under temperature above specified range