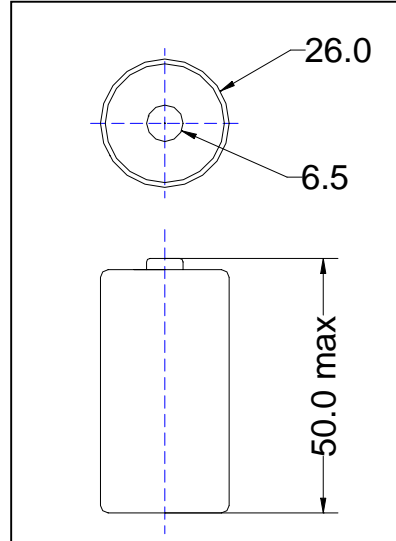


DATA SHEET

Thionyl Chloride Lithium Battery(Li/SOCl₂)

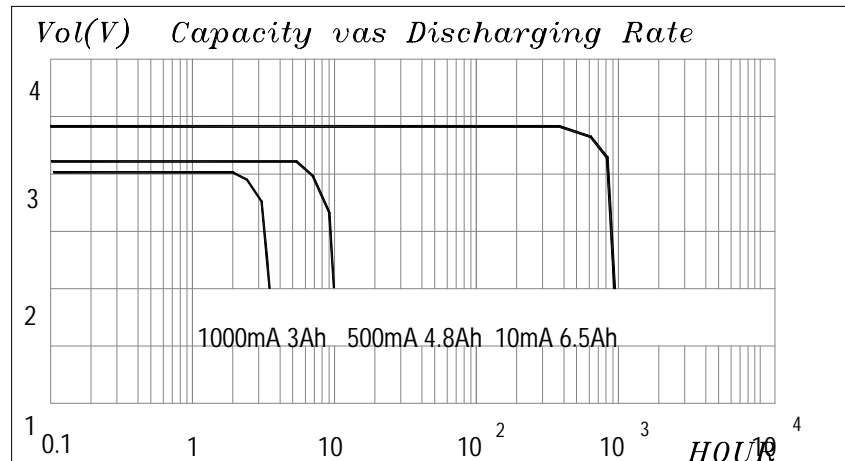
MODEL: ER26500M

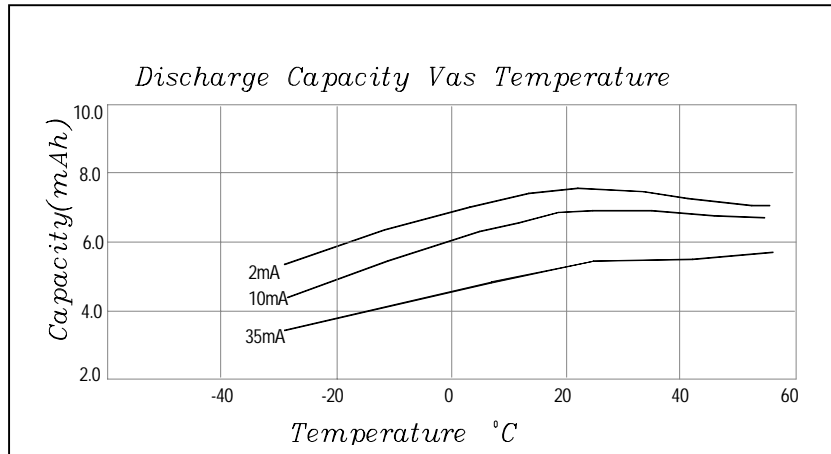
Nominal capacity (10mA to 2.0V)	6500 mAh
Nominal voltage	3.6 V
Max. Continuous operating current	1000 mA
Max. Pulse current	2000 mA
Battery weight	54 g
Battery dimension	φ 26.0×50.0 mm
operating temperature	-45°C~+70°C



Notes: All dimensions are in mm.
Tolerance is ±0.3mm.

Characteristics:





Warning:

- .Do not short-circuit;
- .Do not recharge, force over-discharge, assemble / disassemble and crush; risk of fire and burns;
- .Do not use under temperature above specified range