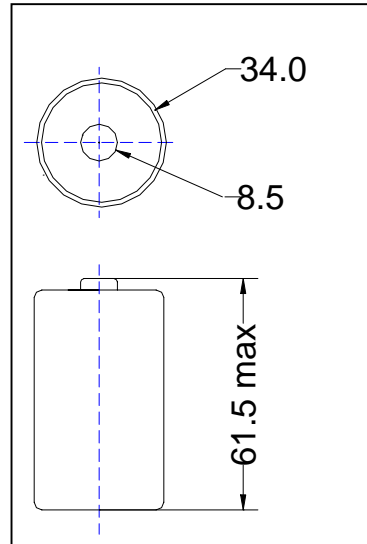


Thionyl Chloride Lithium Battery(Li/SOCl₂)

MODEL: ER34615

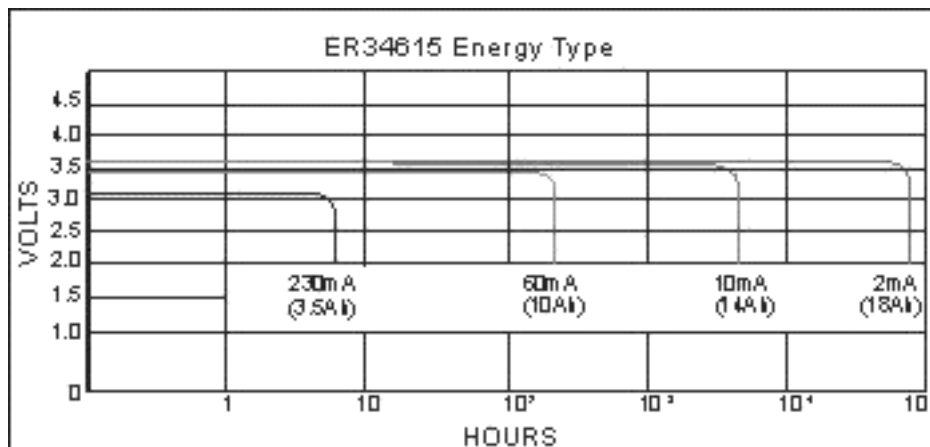
Nominal capacity (2mA to 2.0V)	16000 mAh
Nominal voltage	3.6 V
Max. Continuous operating current	250 mA
Max. Pulse current	500 mA
Battery weight	100 g
Battery dimension	φ 34.0×61.5 mm
operating temperature	-45°C~+70°C

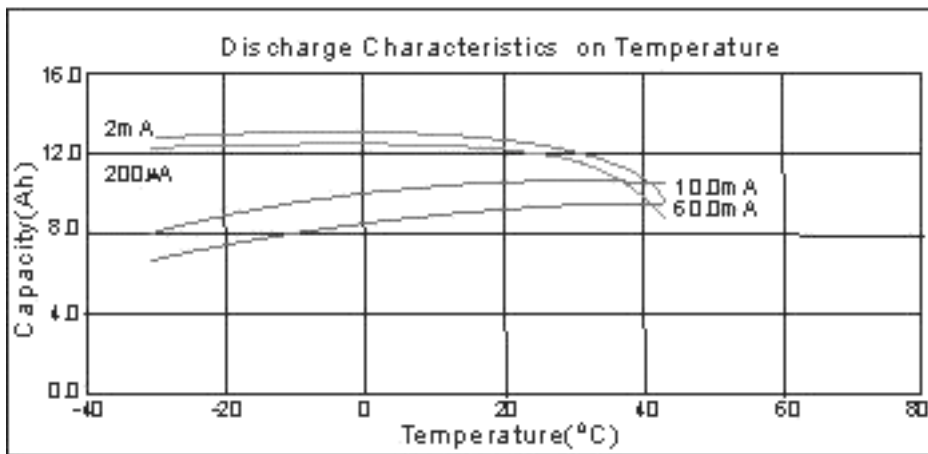
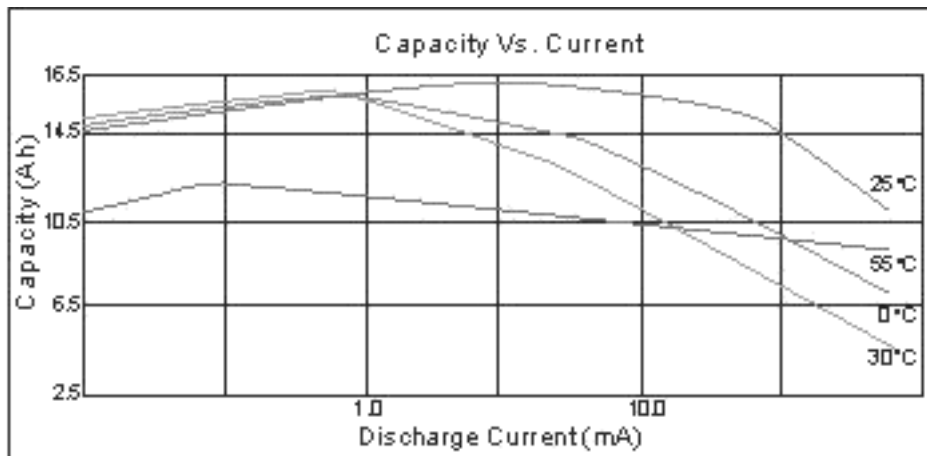


Notes: All dimensions are in mm.
Tolerance is ±0.3mm.

Characteristics:

Capacity vs. different discharging rate





Warning:

- .Do not short-circuit;
- .Do not recharge, force over-discharge, assemble / disassemble and crush; risk of fire and burns;
- .Do not use under temperature above specified range