

1

2

3

4

5

6

7

REV. 修訂		REVISIONS	
版次 REV.	記述 DESCRIPTION	日期 DATE	

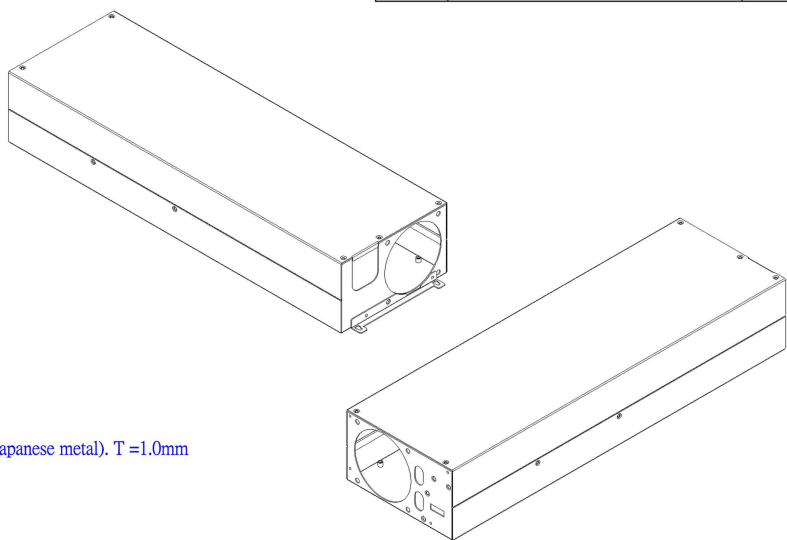
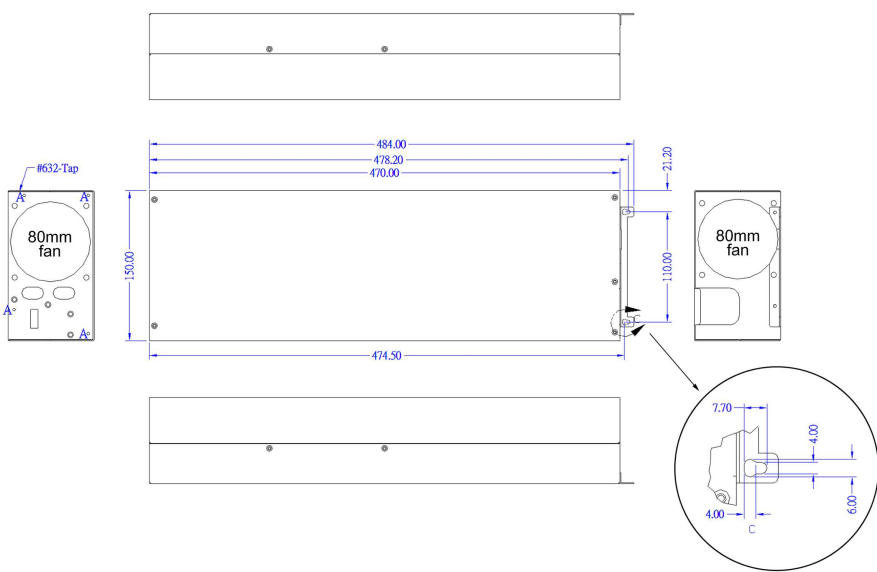
A

B

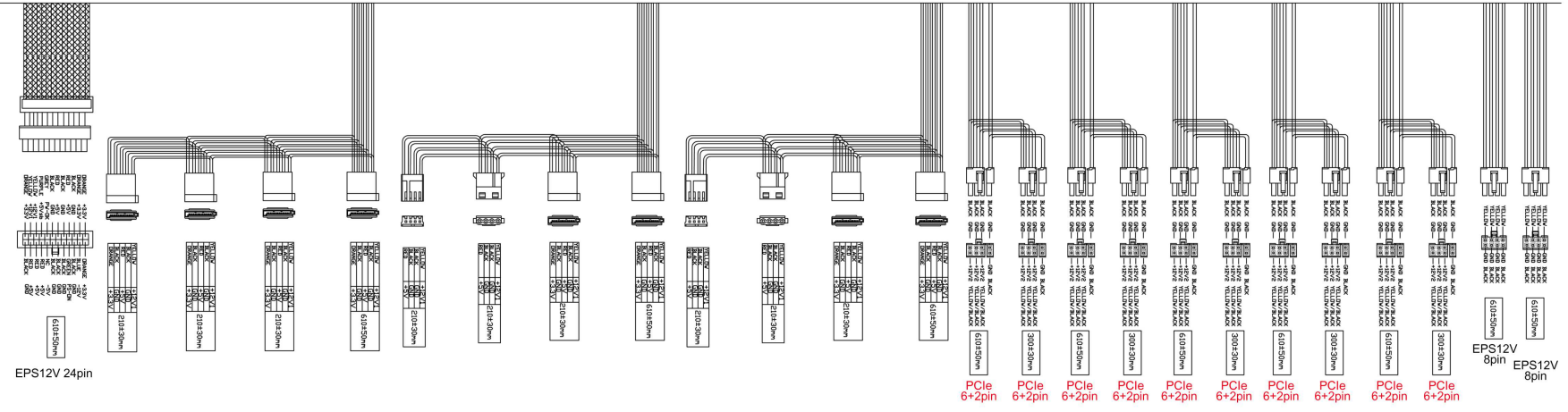
C

D

E



Material : SECC (Japanese metal). T=1.0mm
 unit : mm
 A : #632-Tap



EPS12V 24pin

EPS12V 8pin

EPS12V 8pin

This drawing is also compatible with
 STC-242400 STC-122200H
 STC-242400H STC-242400
 STC-242400H STC-242400H
 STC-481600 STC-481600
 STC-481600H STC-481600H
 STC-1201600 STC-1201600
 STC-1201600H STC-1201600H

容許公差: TOLERANCES:	.XXX ±.025 .XX ±.100 .X ±.250
投影法: PROJECTION:	第三角法

材料規格: MATERIAL:	Japanese SECC thickness 1.0mm	
核准者: APPROVE BY:	Frederick Lee	日期: DATE:
審核者: CHECK BY:	Kenny Tsai	日期: DATE:
繪圖者: DRAW BY:	Veness Huang	日期: DATE:

SYNOCEAN Technology Co., Ltd		http://synoceantech.com	
品名: MODEL NO:	DC 12V and 24V to DC power supplies		
料號: PART NO:	STC-122200		
圖號: DRAW NO:	規格: SPEC:	檔號: FILE NO:	編號: SHEET:
單位: UNITS:	版次: REV. NO:	2.1	OF