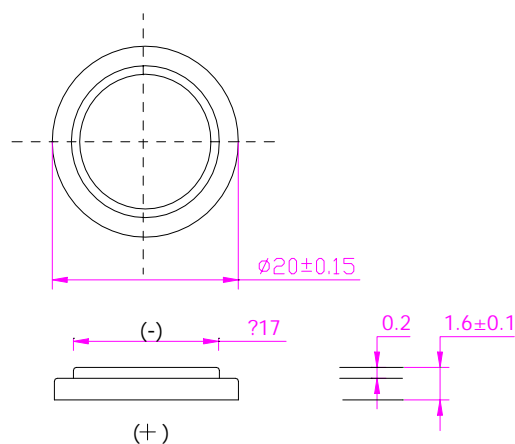
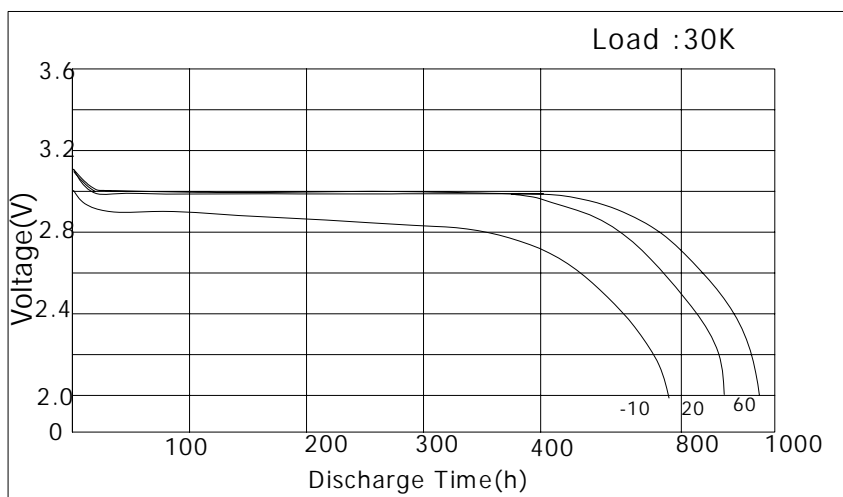


Lithium manganese button cell CR2016

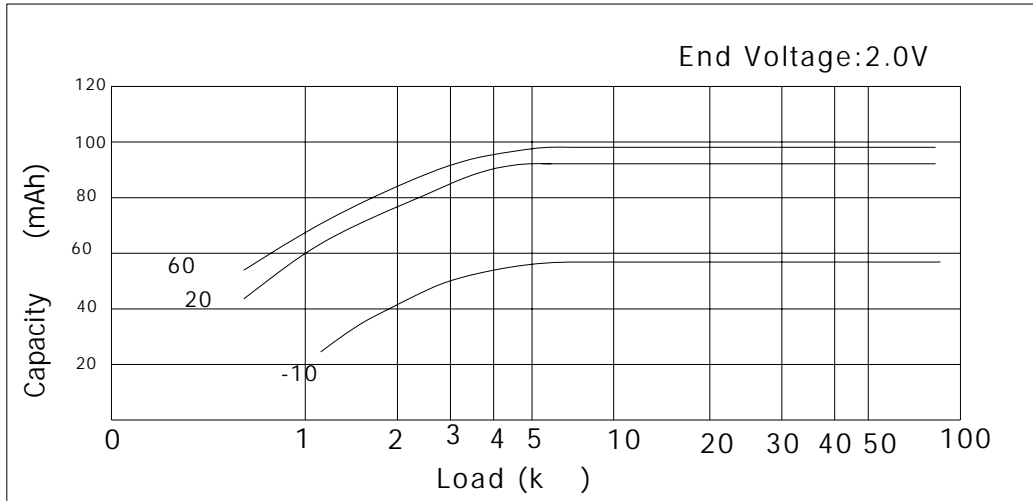
Nominal voltage	3V
Nominal capacity	80mAh
Load Resistance	30k
weight	1.9g



Temperature Characteristics



Load-capacity



Discharge characteristics

