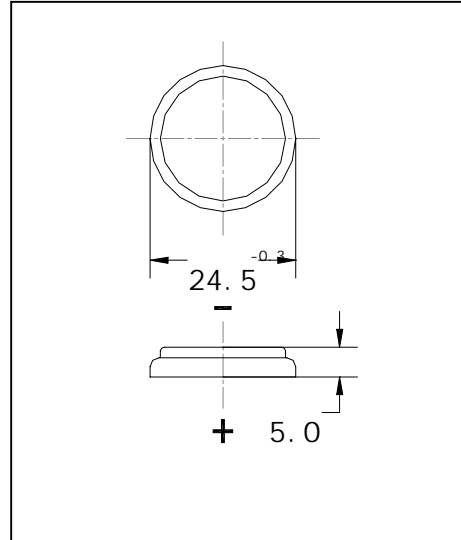


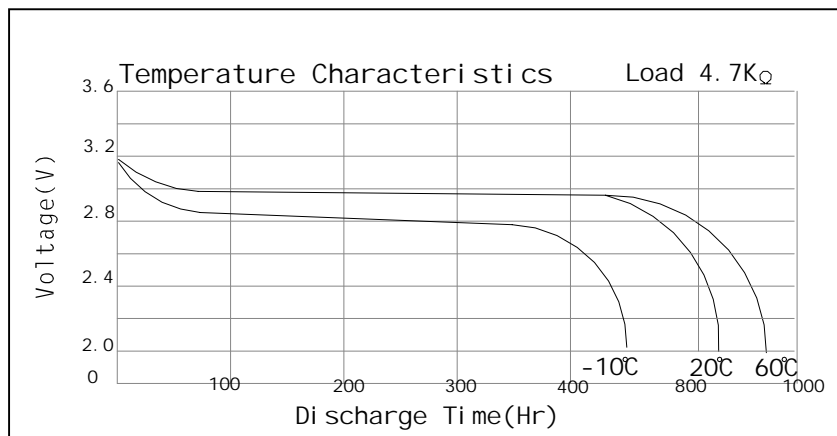
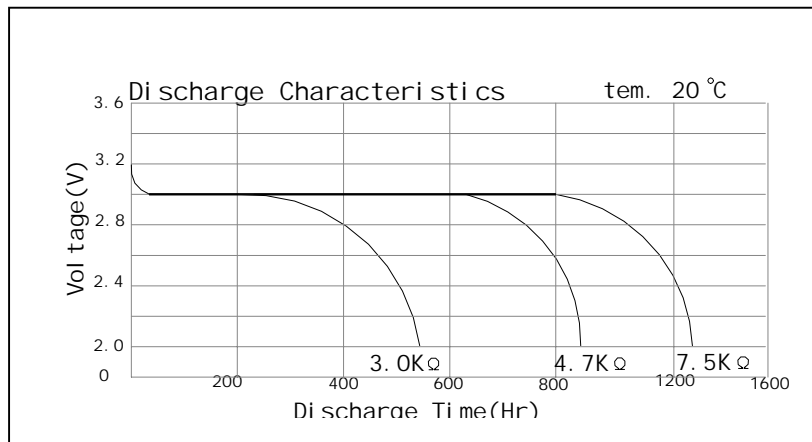
Manganese Dioxide Lithium Button Cell(Li/MnO₂)

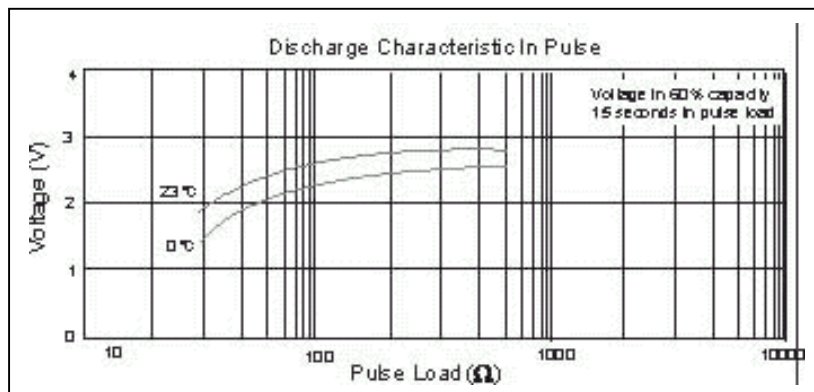
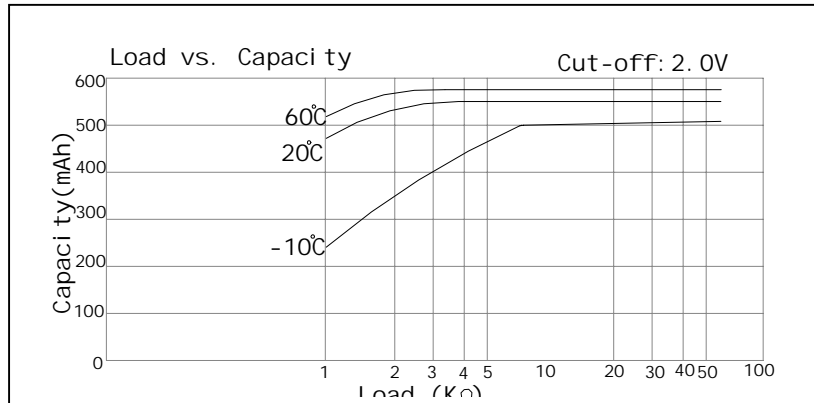
MODEL: CR2450

| | |
|-----------------------------------|---------------|
| Nominal capacity (0.2mA to 2.0V) | 500 mAh |
| Nominal voltage | 3.0 V |
| Max. Continuous operating current | 3 mA |
| Max. Pulse current | 15 mA |
| Battery weight | 5.3 g |
| Battery dimension | φ 24.5×5.0 mm |
| operating temperature | -30°C~+60°C |



Electrical Characteristics:





Warning:

- .Do not short-circuit;
- .Do not recharge, force over-discharge, assemble / disassemble and crush; risk of fire and burns;
- .Do not use under temperature above specified range