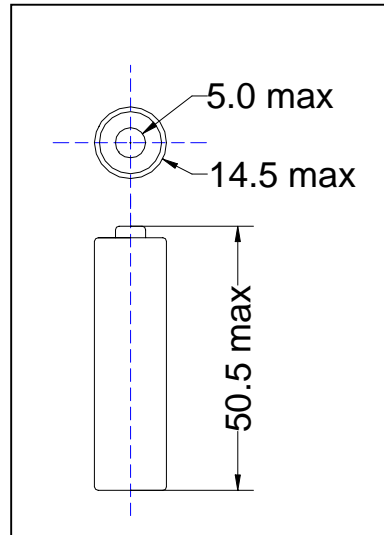


Thionyl Chloride Lithium Battery(Li/SOCI2)

MODEL: ER14505M

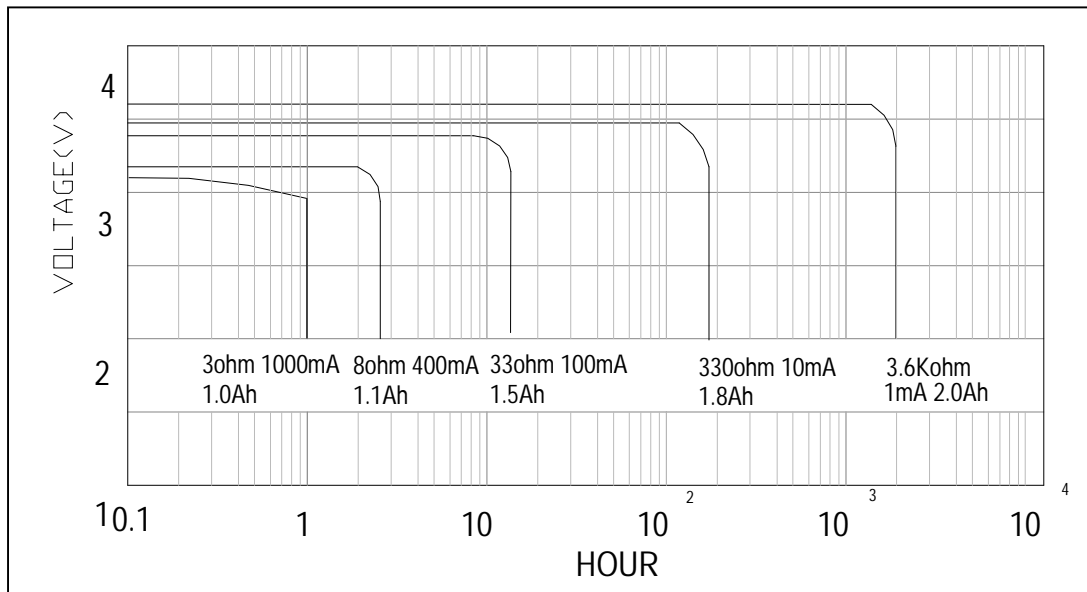
Nominal capacity (1mA to 2.0V)	2000 mAh
Nominal voltage	3.6 V
Max. Continuous operating current	1000 mA
Max. Pulse current	1500 mA
Battery weight	20 g
Battery dimension	φ 14.5×50.5 mm
operating temperature	-55°C~+75°C



Notes: All dimensions are in mm.  
Tolerance is ±0.3mm.

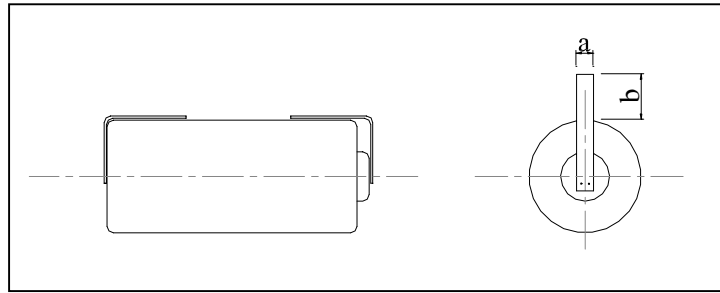
Characteristics:

Capacity vs. Different discharging rate

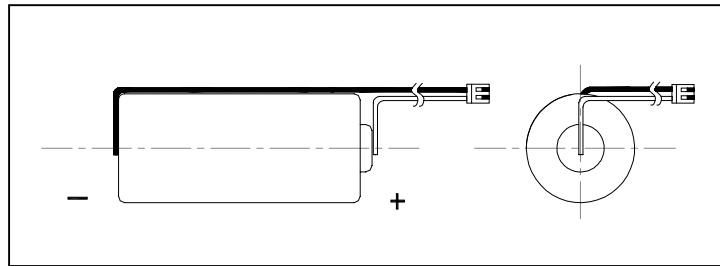


Figures of leading tags:

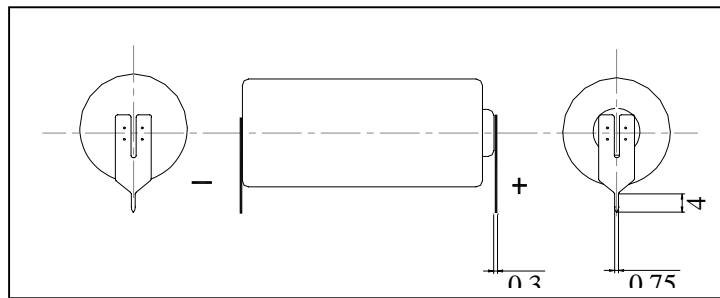
a. Nickel strip



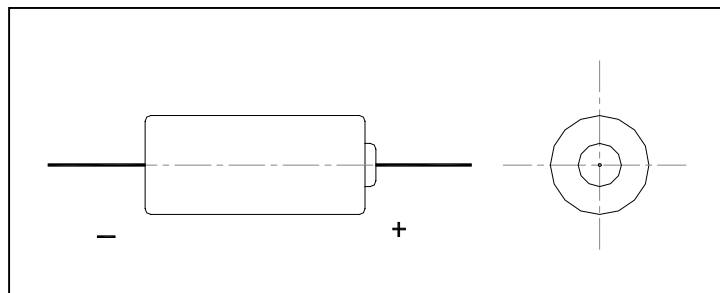
b. Plug



c. Pins



d. axial tag



Warning:

- .Do not short-circuit;
- .Do not recharge, force over-discharge, assemble / disassemble and crush; risk of fire and burns;
- .Do not use under temperature above specified range