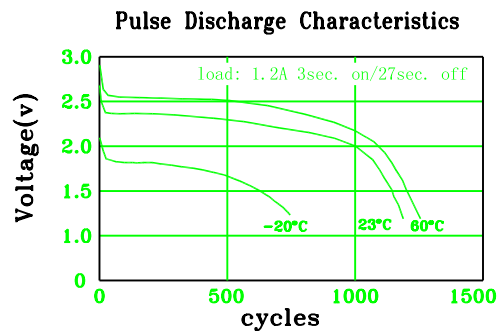
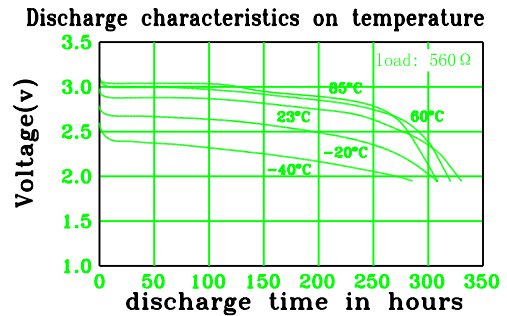
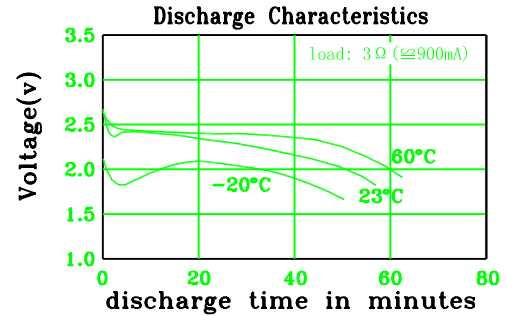
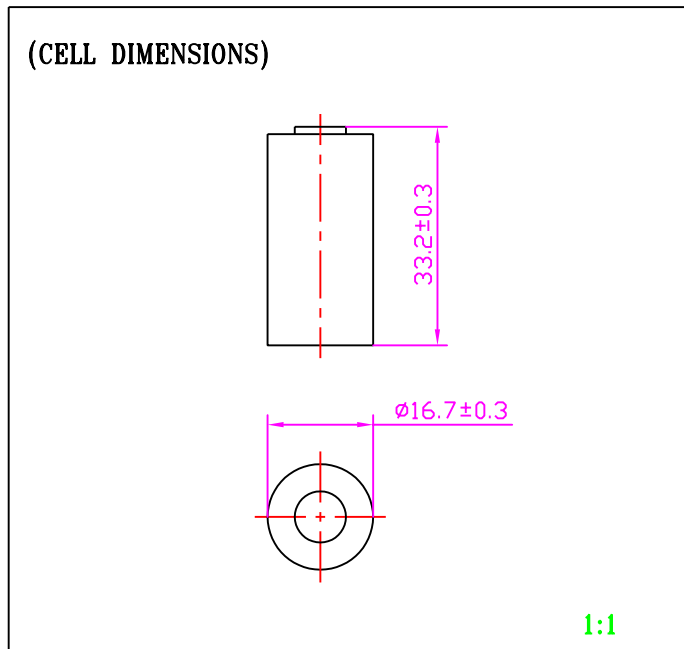


CR123A Lithium Cylindrical Cell (Data Sheet)

Specification

Nominal Voltage		3.0V
Dimensions	Diameter	16.7±0.3mm
	Height	33.2±0.3mm
	Apx. Weight	16g
Standard Discharge Current		10mA
Nominal Capacity		1300mAh
Maximum Continuous Discharge Current		1000mA
Maximum Pulse Discharge Current		3000mA
Temperature Range (°C)		-40~60



Caution:

1. If you assemble a pack of more than 1 pieces CR123A lithium battery in series connection, should use the same lot cells, old one can't be used with the new one. Unless something such as explode, fire may be happen.
2. Should keep the discharge voltage (on load) of every cell in the pack higher than 0.5V, never make a cell revers polarity.
3. Please keep the above caution in practice, unless we can't take on any responsibility for a accident.