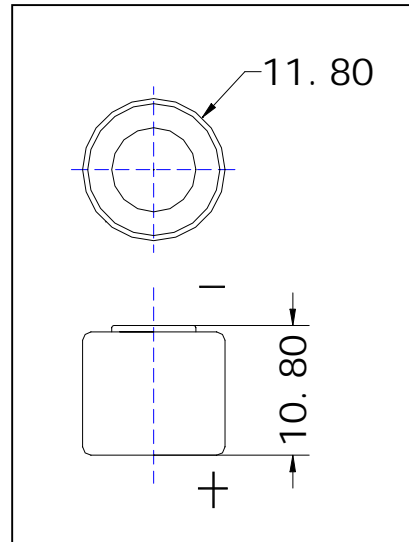


## Manganese Dioxide Lithium Battery(Li/MnO<sub>2</sub>)

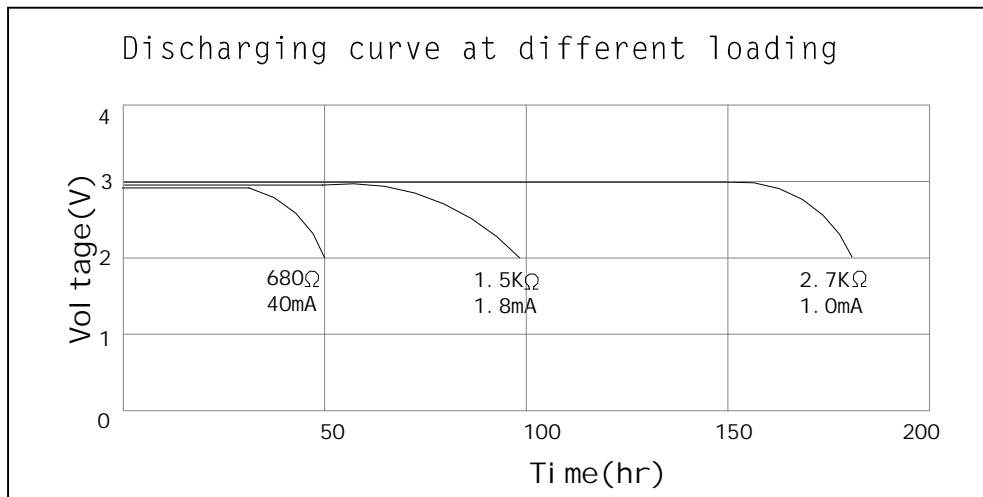
MODEL: CR1/3N

Nominal capacity (2mA to 2.0V)	160 mAh
Nominal voltage	3.0 V
Max. Continuous operating current	50 mA
Max. pulse current	80 mA
Battery weight	3.3 g
Battery Dimension	φ 11.8 × 10.8 mm
operating temperature	-40°C ~ +60°C



Notes: All dimensions are in mm.  
Tolerance is ±0.3mm.

Characteristics:



Warning:

- .Do not short-circuit;
- .Do not recharge, force over-discharge, assemble / disassemble and crush; risk of fire and burns;
- .Do not use under temperature above specified range