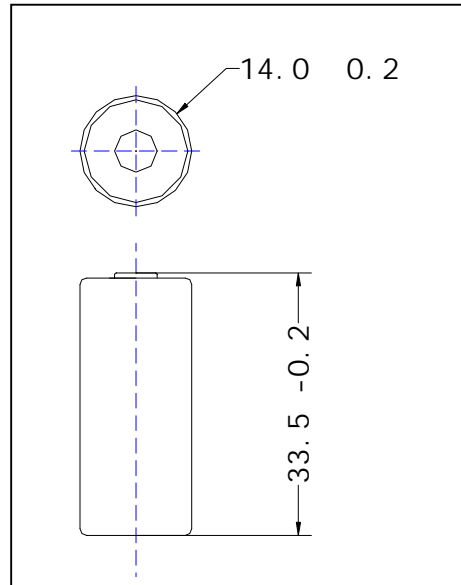


**Manganese Dioxide Lithium Battery(Li/MnO<sub>2</sub>)**

MODEL: CR14335

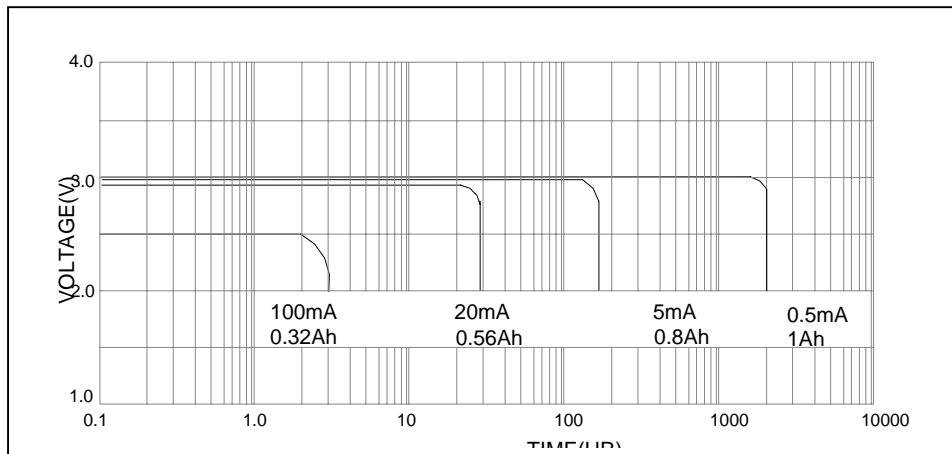
Nominal capacity (10mA to 2.0V)	800 mAh
Nominal voltage	3.0 V
Max. Continuous operating current	250 mA
Max. pulse current	500 mA
Battery weight	13 g
Battery Dimension mm	$\phi 14.0^{\pm 0.2} \times 33.5^{-0.2}$
operating temperature	-40°C~+60°C



Notes: All dimensions are in mm.  
Tolerance is  $\pm 0.3$ mm.

Characteristic:

Discharging curve at different rate



Warning:

- .Do not short-circuit;
- .Do not recharge, force over-discharge, assemble / disassemble and crush; risk of fire and burns;
- .Do not use under temperature above specified range