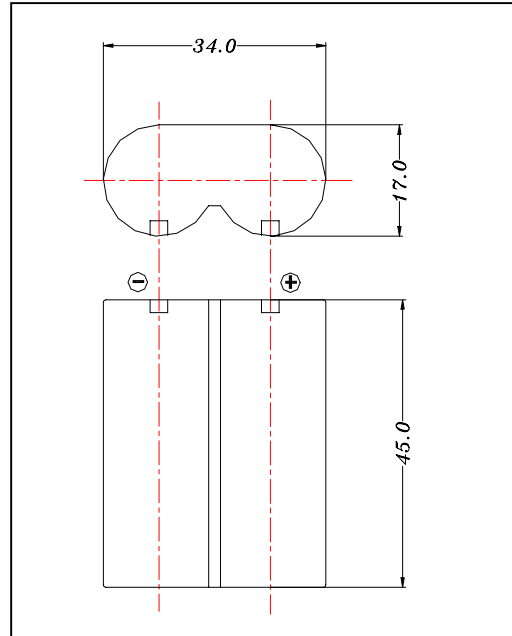


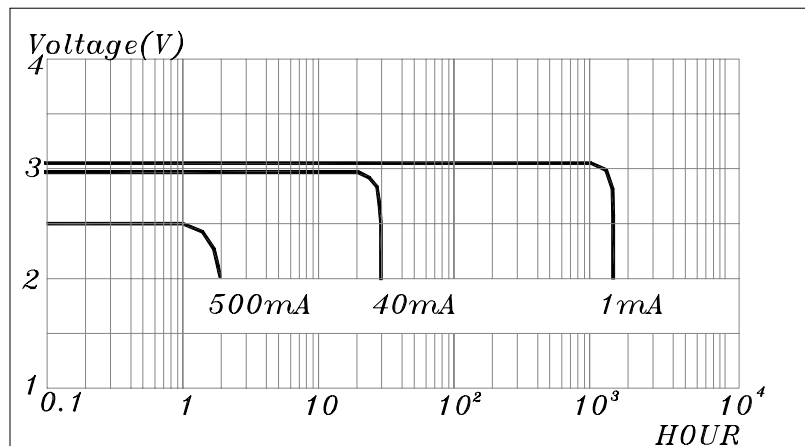
**Manganese Dioxide Lithium Battery(Li/MnO<sub>2</sub>)**

MODEL: 2CR5

Nominal capacity (20mA to 4.0V)	1300 mAh
Nominal voltage	6.0 V
Max. Continuous operating current	1500 mA
Max. Pulse current	3000 mA
Battery weight	35 g
Battery dimension	34.0×17.0×45.0 mm
operating temperature	-40°C~+60°C



Notes: All dimensions are in mm.  
Tolerance is ±0.3mm.



**Warning:**

- .Do not short-circuit;
- .Do not recharge, force over-discharge, assemble / disassemble and crush; risk of fire and burns;
- .Do not use under temperature above specified range