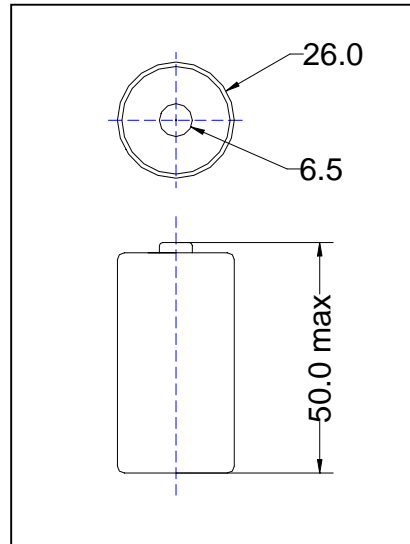


Manganese Dioxide Lithium Battery(Li/MnO₂)

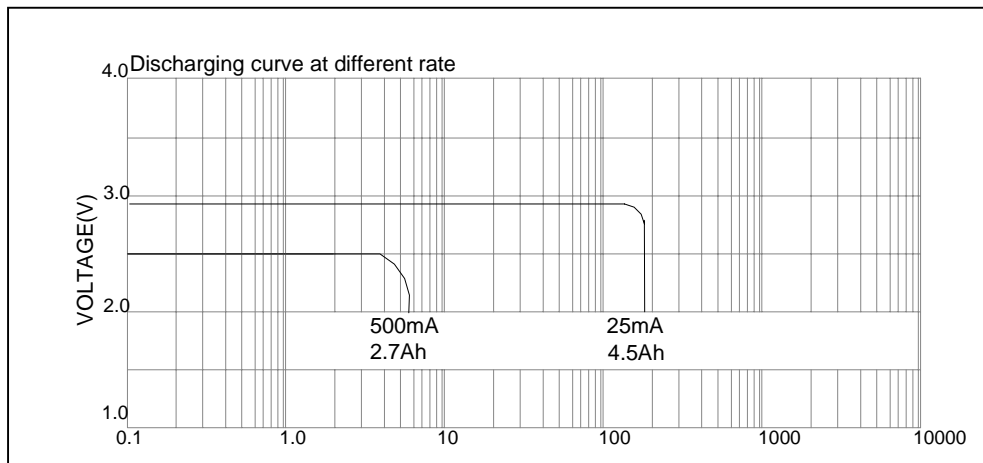
MODEL: CR26500

| | |
|--------------------------------------|--|
| Nominal capacity (25mA to 2.0V) | 4500 mAh |
| Nominal voltage | 3.0 V |
| Max. Continuous operating current | 500 mA |
| Max. pulse current | 1000 mA |
| Battery weight | 55 g |
| Battery Dimension mm | $\phi 26.5^{\pm 0.2} \times 50.0^{-0.2}$ |
| operating temperature | -40°C ~ +60°C |



Notes: All dimensions are in mm.
Tolerance is ± 0.3 mm.

Characteristics:



Warning:

- .Do not short-circuit;
- .Do not recharge, force over-discharge, assemble / disassemble and crush; risk of fire and burns;
- .Do not use under temperature above specified range