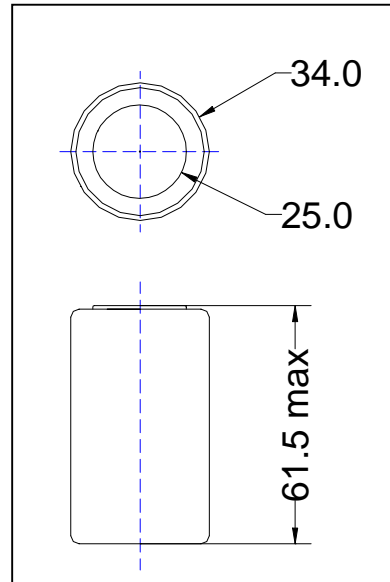


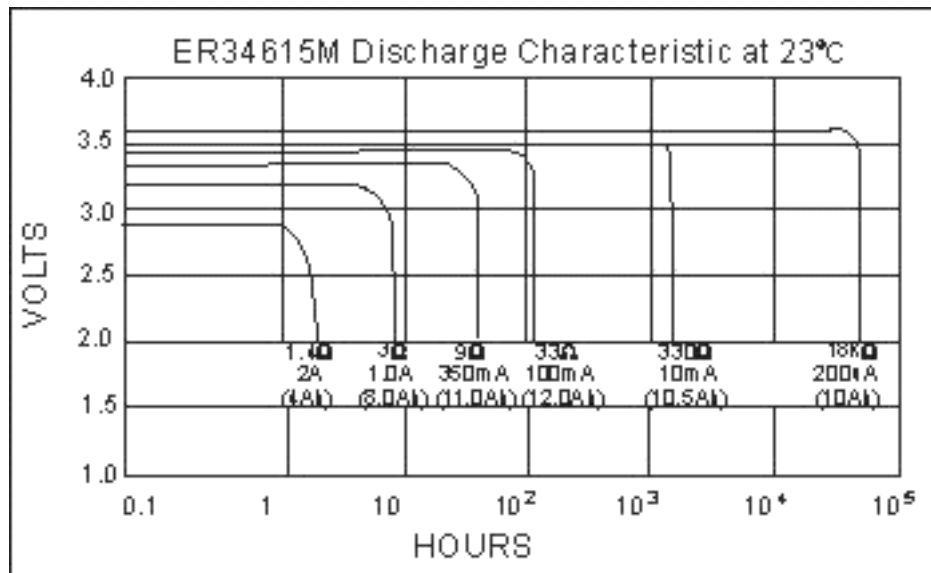
Thionyl Chloride Lithium Battery(Li/SOCl₂)

MODEL: ER34615M

Nominal capacity (30 mA to 2.0V)	13000 mAh
Nominal voltage	3.6 V
Max. Continuous operating current	2000 mA
Max. Pulse current	3000 mA
Battery weight	100 g
Battery dimension	φ 34.0×61.5 mm
operating temperature	-45°C~+70°C



Notes: All dimensions are in mm.
Tolerance is ±0.3mm.



Warning:

- .Do not short-circuit;
- .Do not recharge, force over-discharge, assemble / disassemble and crush; risk of fire and burns;
- .Do not use under temperature above specified range