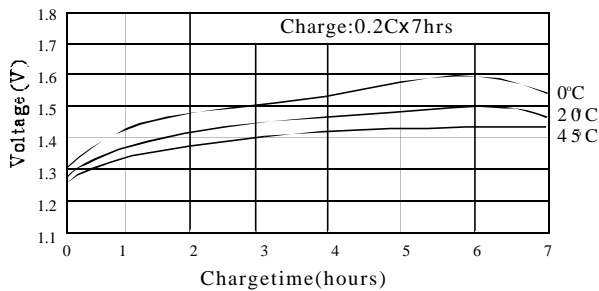


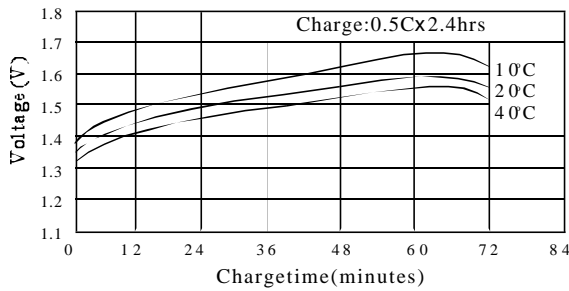
DATA SHEET

General Characteristics

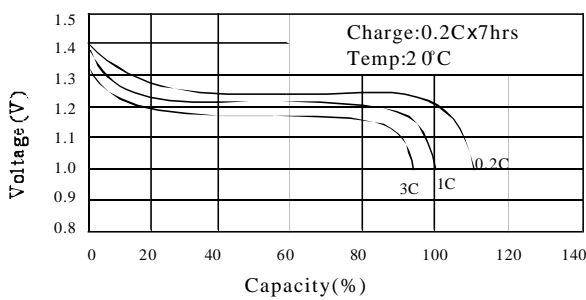
Standardcharge



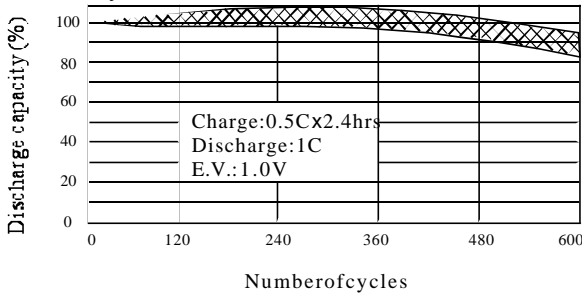
Fastcharge



Discharge characteristic at 20°C

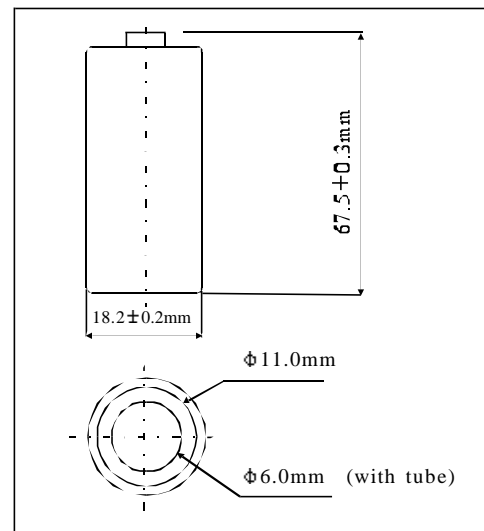


Cycle life

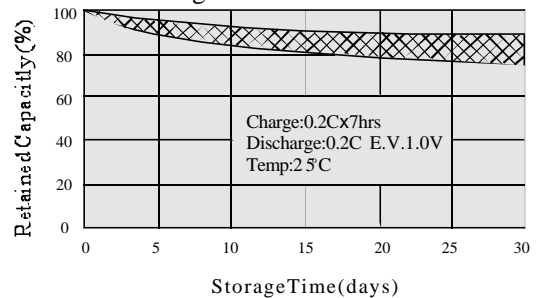


Specifications

Nominal Voltage		1.2V	
Capacity (mAh)		C/5	1C
	Nominal	4000	3600
	Typical	4400	4000
Dimension	Diameter	18.0 ± 0.2mm	
	Height	67.5 ± 0.3mm	
Approx Weight		65g	
Internal Resistance (at 1KHz)		≲ 18mΩ (full charged)	
Charge	Standard	800mA x 7hrs	
	Fast	2000mA x 2.4hrs	
	Trickle	120 ± 20mA	
Discharge Cut-off Voltage		1.0V	
Cycle Life		≳ 500	
Ambient Temperature	Standard Charge	0-50°C	
	Fast Charge	10-50°C	
	Trickle Charge	0-45°C	
	Discharge	-20-60°C	
	Storage	-20-45°C	
Relative Humidity		65 ± 20%	



Storage



Note:

- 1. Nominal capacity rated at C/5, 20°C
- 2. Other capacities are for reference.
- 3. Weight and internal resistance are for reference.