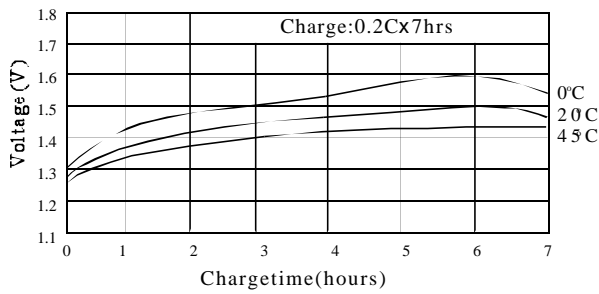


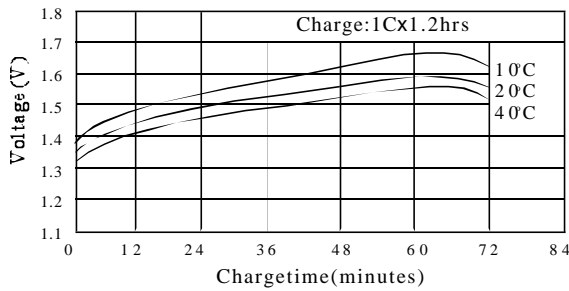
*DATA SHEET*

**General Characteristics**

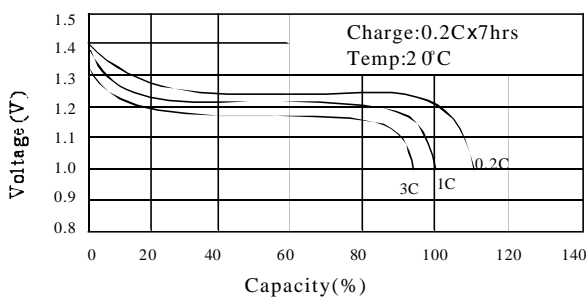
**Standardcharge**



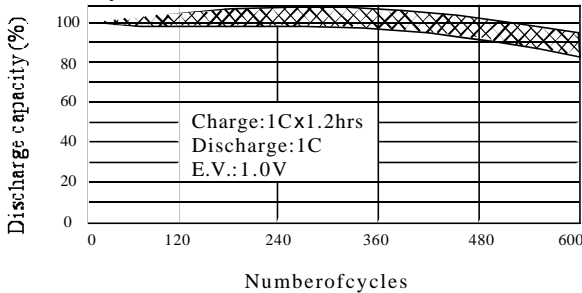
**Fastcharge**



**Dischargecharacteristicat 20°C**

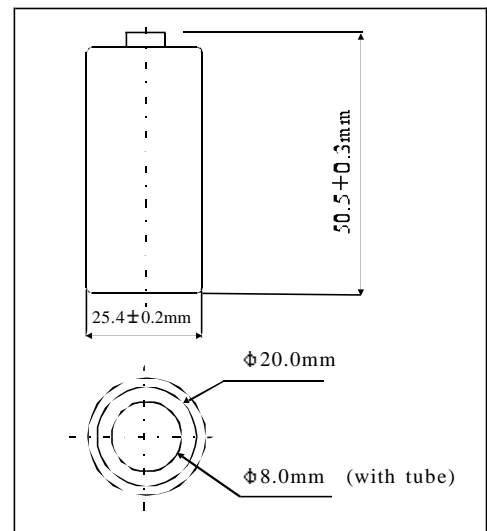


**Cycle life**

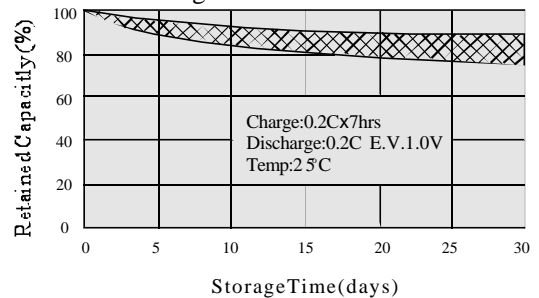


**Specifications**

Nominal Voltage		1.2V	
Capacity (mAh)		C/5	1C
	Nominal	3000	2700
	Typical	3300	3000
Dimension	Diameter	25.2±0.2mm	
	Height	50.5±0.3mm	
Approx Weight		72g	
Internal Resistance (at 1KHz)		≲15mΩ (full charged)	
Charge	Standard	600mA x 7hrs	
	Fast	3000mA x 1.2hrs	
	Trickle	90±50mA	
Discharge Cut-off Voltage		1.0V	
Cycle Life		≳500	
Ambient Temperature	Standard Charge	0-50°C	
	Fast Charge	10-50°C	
	Trickle Charge	0-45°C	
	Discharge	-20-60°C	
	Storage	-20-45°C	
Relative Humidity		65±20%	



**Storage**



**Note:**

- 1. Nominal capacity rated at C/5, 20°C
- 2. Other capacities are for reference.
- 3. Weight and internal resistance are for reference.