

# AV30-T Series Triple Output

## Common Specifications

	Min	Nom	Max	Units	Notes
<b>Input</b>					
Input Voltage	18	24	36	Vdc	50 V max < 100 ms
	36	48	72	Vdc	100 V max < 100 ms
Isolation voltage	1500			Vdc	
Control Voltage					
Low = Off			4.5	Vdc	
High = On	10			Vdc	
Control Current			2	mA	
<b>Output</b>					
Power		30		W	
Line Regulation		±0.2 / ±2 / ±2		%Vo	
Load Regulation		±0.5 / ±8 / ±8		%Vo	
Trim Range	-10		+10	%Vo	main output
Dynamic Response					
50-75% load		1		%Vo	T=25°C, DI/Dt=1A/10µs
		100		µs	T=25°C, DI/Dt=1A/10µs
50-25% load		1		%Vo	T=25°C, DI/Dt=1A/10µs
		100		µs	T=25°C, DI/Dt=1A/10µs
Cross Regulation			8	%Vo	
Temperature Regulation			±0.02	%Vo/°C	
<b>General</b>					
MTBF		1,210		k Hrs	Bellcore TR332, 25°C
Case Temperature	-25		90	°C	
Storage Temperature	-40		105	°C	
Switching Frequency		300		kHz	
Pin solder temperature			260	°C	wave solder < 10 s
Hand Soldering Time			5	s	iron temperature 425°C
Weight		120		grams	

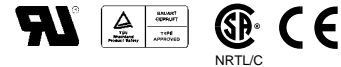
## More Choices in DC-DC Converters

	AM10	AV10	AVS10	AV20	AV25	AVS25	AV30-D	AW30	AVH	AVE
Power (W)	10	10	10	20	25	25	30	30	50-150	50-150
Inputs (V)	5	12,24,48	5	24, 48	24, 48	48	24, 48	24,48	48	48
Outputs	1	1,2	1	1,2	1, 2	3	2	1	1, 2	1
Isolation	no	yes	no	yes	yes	yes	yes	yes	yes	yes
Size	1"x1"	1"x2"	1"x2"	1.6" x2"	2"x2.56"	2.4"x2.8"	2.5"x3"	2.6"x3.1"	2.28"x2.4"	2.28"x2.4"



## Features

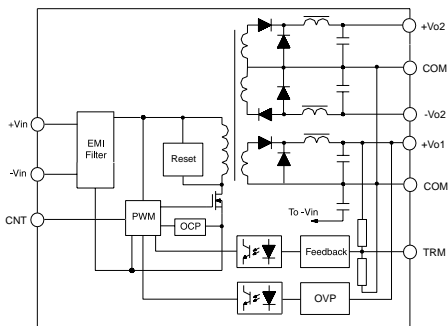
- 30 watts of output power
- Small 2.5" x 3" Footprint
- Isolated Output
- Control Function
- Trim Function
- CISPR 22 Class A performance
- Overcurrent Protection
- Overvoltage Protection



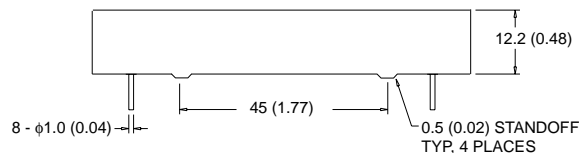
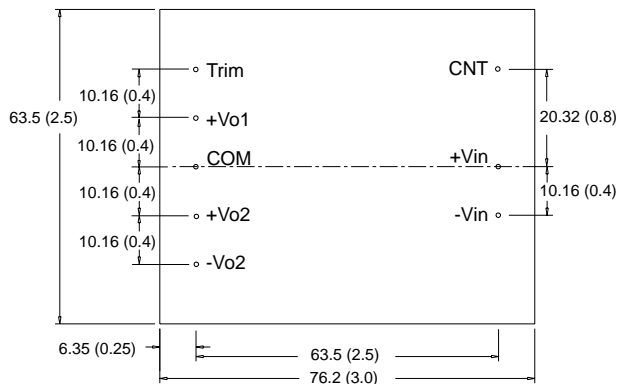
## Electrical Specifications

	Nominal Input (V)	Output Voltage (V)	Output Current* (A)	Short Circuit Current (A) typ	Noise (mV pp)		Efficiency (%)	
					typ	max	min	typ
AV30-24T0512	24	5	5	6.8	85	100	81	84
		±12	±1	±1.4	90	150		
AV30-24T0515	24	5	5	6.8	40	100	82	85
		±15	±0.8	±1.2	60	150		
AV30-48T0512	48	5	5	6.8	75	100	81	84
		±12	±1	±1.4	90	150		
AV30-48T0515	48	5	5	6.8	40	100	82	85
		±15	±0.8	±1.2	60	150		

\* Maximum total output power is 30W.



AV30-T Series Triple Output Functional Block Diagram



AV30 Series Temperature Derating

