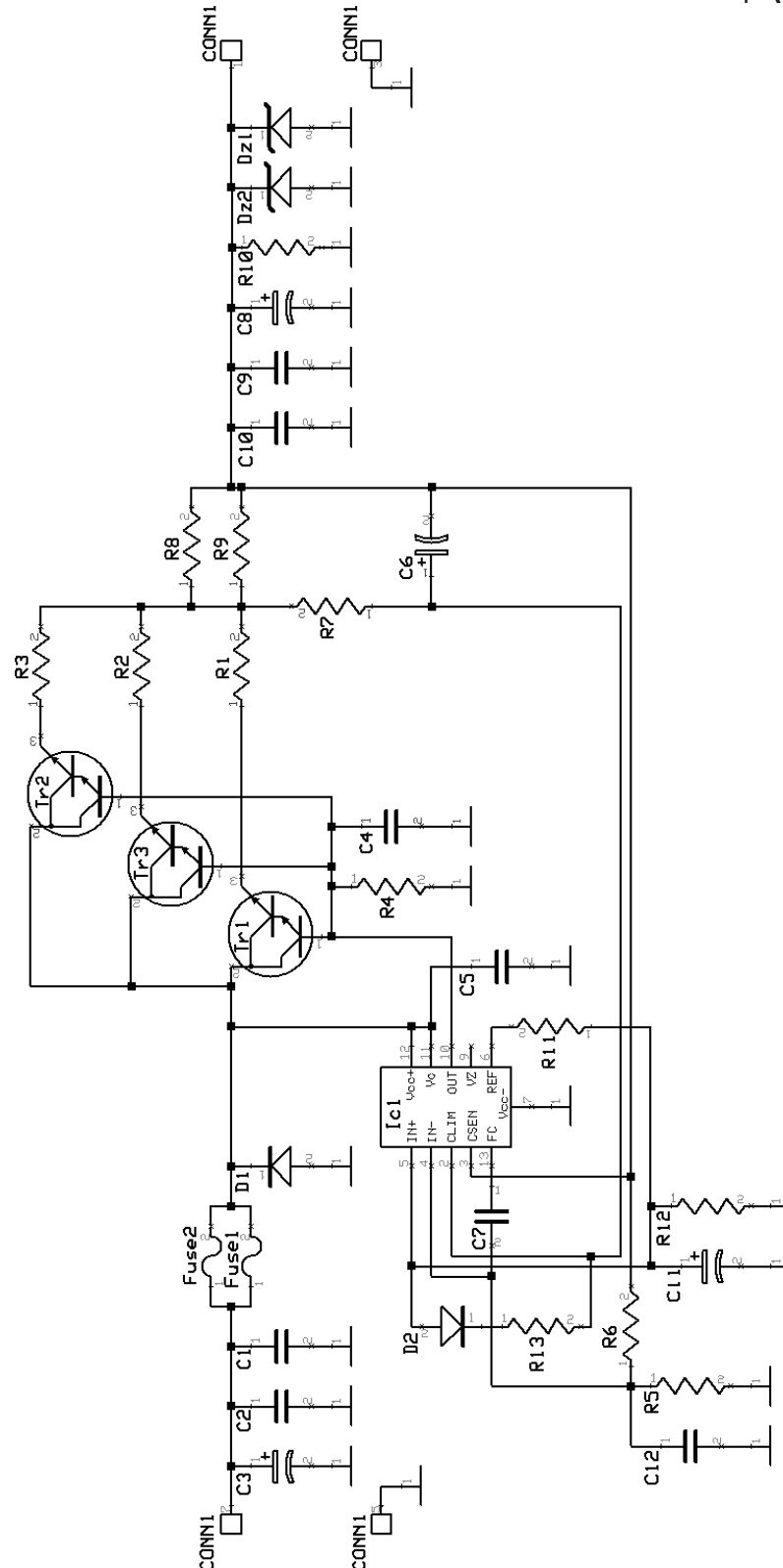
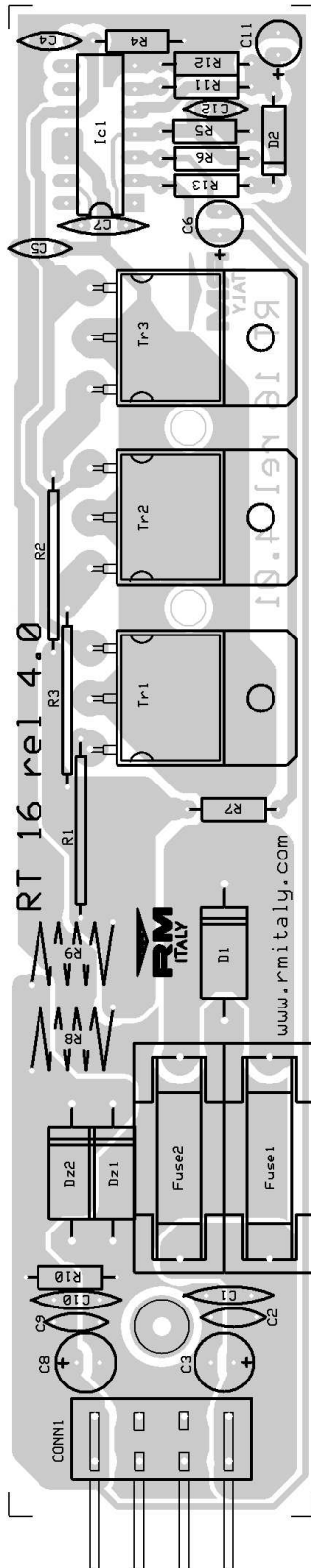


Mod. RT 16 tension reducer

Schematic diagram

Version 4.01



List of components

C₁ = 470 pF 50 V
C₂ = 10 nF 50 V
C₃ = 22 μF 35 V
C₄ = 100 nF 50 V
C₅ = 100 nF 50 V
C₆ = 2,2 μF 25 V
C₇ = 470 pF 50 V
C₈ = 22 μF 25 V
C₉ = 10 nF 50 V
C₁₀ = 470 pF 50 V
C₁₁ = 2,2 μF 25 V
C₁₂ = 150 pF 50 V
R₁ = 20 mm resistive wire 0,8 mm
R₂ = 20 mm resistive wire 0,8 mm
R₃ = 20 mm resistive wire 0,8 mm
R₄ = 2,2 KΩ ¼W
R₅ = 56 KΩ ¼W
R₆ = 82 KΩ ¼W
R₇ = 470 Ω ¼W
R₈ = 5 turns ∅ 6 mm resistive wire 1 mm
R₉ = 5 turns ∅ 6 mm resistive wire 1 mm
R₁₀ = 2,2 KΩ ¼W
R₁₁ = 1,2 KΩ ¼W
R₁₂ = 3,9 KΩ ¼W
R₁₃ = 680 Ω ¼W
D₁ = 1N5400
D₂ = 1N4148
D_{z1} = 1N5353
D_{z2} = 1N5353
Tr₁ = TIP 142
Tr₂ = TIP 142
Tr₃ = TIP 142
IC₁ = LM 723
Fuse1 = 8 A
Fuse2 = 8 A